

BROKEN POLE? GET RAPID POLE®!

▪ PUBLIC SAFETY ▪

Emergency first responders are cleared quickly to respond to *other* public safety emergencies

▪ EFFICIENT ▪

Greatly improves CAIDI

▪ EASE OF USE ▪

Deployed in less than 15 minutes versus setting a pole which can take between 3-8 hours

▪ FORCE MULTIPLIER ▪

Force multiplier for pole sets—less resources needed

▪ CIRCUIT ENERGIZED ▪

Flexible: Conductors can be secured in different positions for crews to safely make permanent repairs

▪ RAPID ▪

Power restoration in record time!

RPT2 - Rapid Pole 2 Trailer System

FEATURES

Mast Top Weight Capacity	2,000 lbs (900kg)
Ground to Top of Crossarm	47 ft (14.3m)
Ground to Top of Mast When Tilted & Stowed	10 ft (3.05m)
Ground to Top of Mast Tilted - at the Ready	19 ft (5.79m)
Width of Trailer In Travel Position	8 ft (2.4m)
Width of Trailer with Outriggers Extended	17.6 ft (5.4 m)
Length of Trailer (Hitch to End of Mast)	19.7 ft (6m)
Length of Tongue	5.7 ft (1.7m)
Front Approach Angle	8.57 degrees
Rear Approach Angle	21.17 degrees
Trailer Tires	315/75R/16
Trailer Weight without Generator	6,900 lbs. (3,100 kg)
Trailer Construction	Galvanized Steel
Hydraulic Motor type	DC
Hydraulic Reservoir Capacity	10 gallons (38l)
Hydraulics Power Requirements	12VDC
LED Amber Warning Strobes on Outriggers	4
LED Flood/Work Lamps on Outriggers	4

- Non-Insulating Aerial Device with Fiberglass Crossarm
- 3 Level / 4 Position Crossarm Halo Mounting Points
- Galvanized Steel Telescoping Mast Base Stage with All Aluminum Upper Stages
- Hydraulically Tilting and Extending Telescoping Mast and Outrigger Stabilizers
- 3 Level / 4 Position Crossarm Halo Mounting Points
- Power Control Center
- Emergency Start/Stop at Controls
- Open-Center Hydraulic System
- Trailer Minimum GVWR - 7,000 lb (3,200 kg) GVWR
- **From the World Leader in Telescoping Masts & Advanced Tactical Trailers!**

OPTIONS:

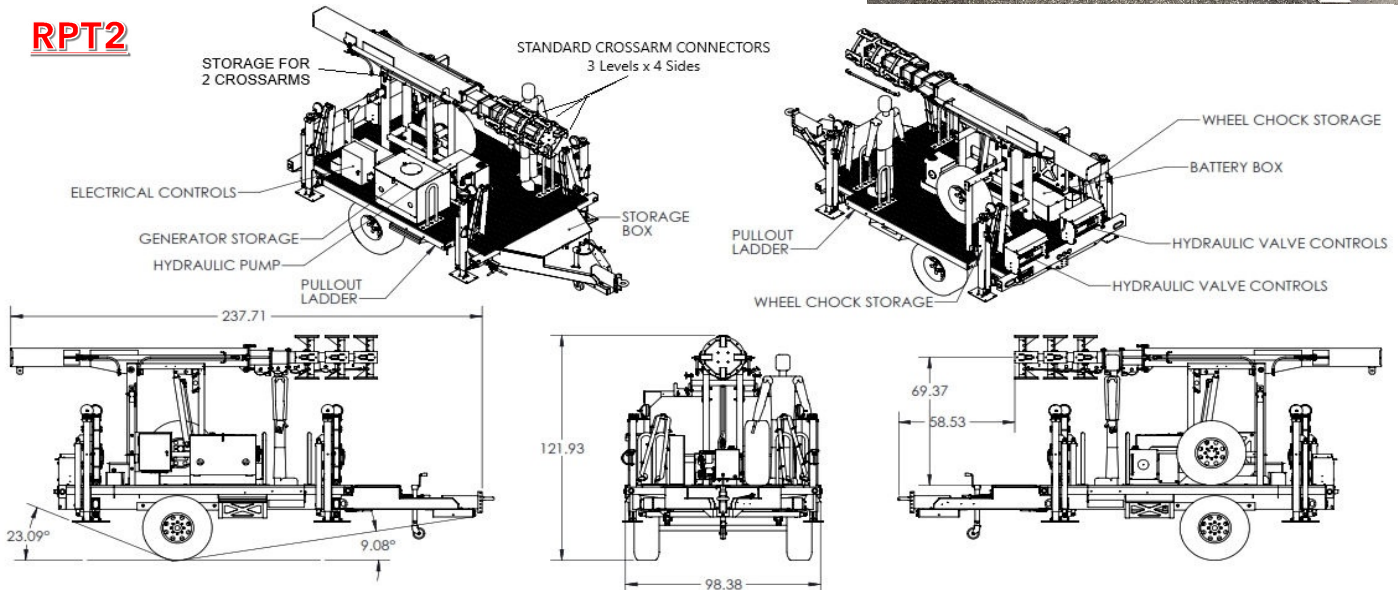
- Battery, Gas or Diesel Generator Operation
- Optional Wireless Mast Tilt and Extension Controller
- Choice of Upper Stage & Enclosure Powder Coating Color
- Inspection Drone Control, Charging and Storage Enclosure



Backfeed Transformer Model Available*



RPT2



*For more complete information on Floatograph products please contact us. Material and specifications are subject to change without notice. Featured units in photos may include optional features. Please contact a Floatograph representative for all available options. Floatograph® and Rapid Pole® are registered trademarks of Floatograph Mast & Trailer Solutions in the United States and various other countries and may not be used without permission. Temporary Power Pole is a Service Mark of Floatograph Mast & Trailer Solutions.

© 2023 Floatograph Mast & Trailer Solutions. All Rights Reserved. Patent Pending